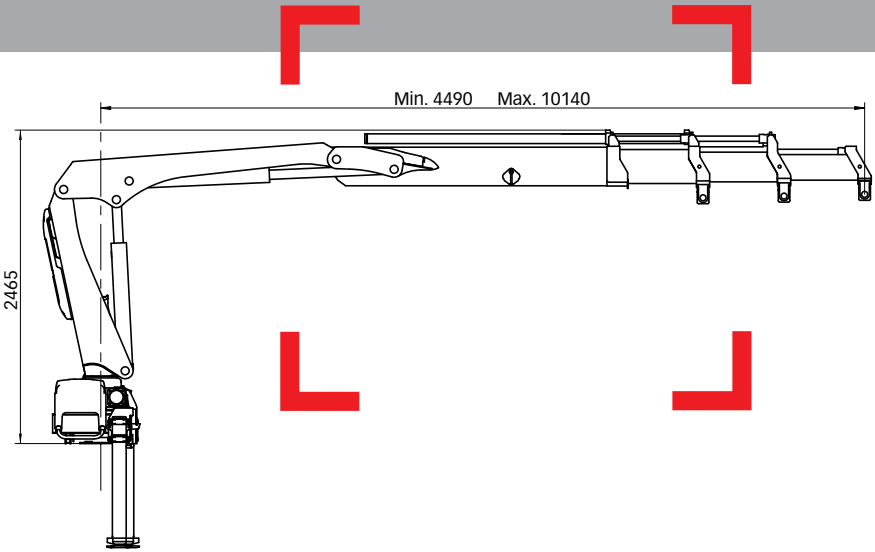


HIAB XS 111 Range 8-11 tm



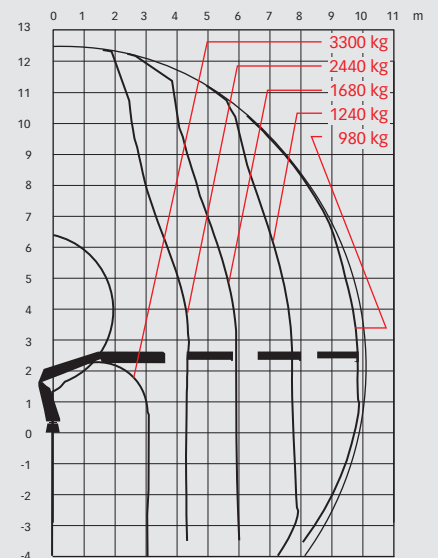
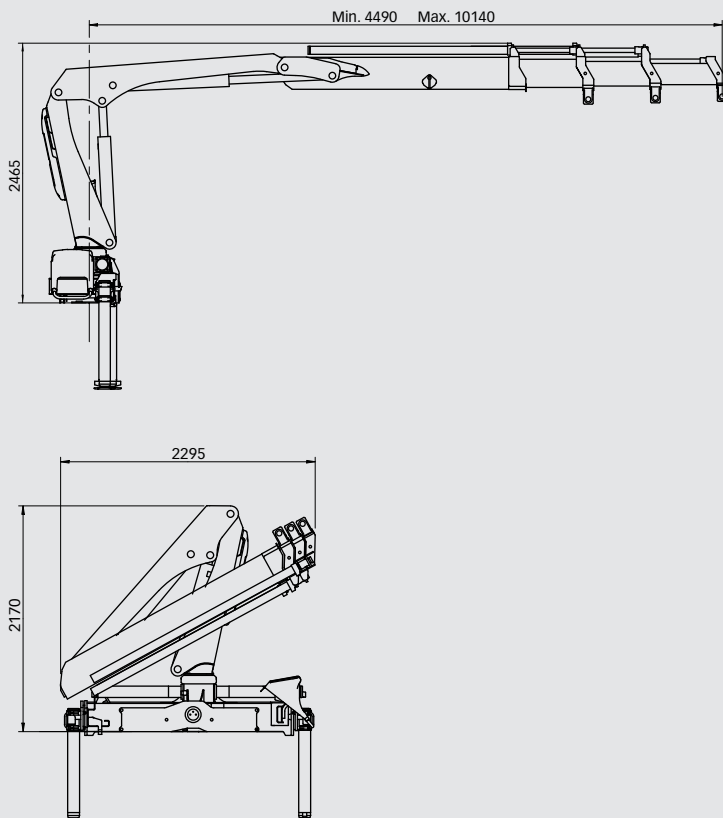
Basic data

HIAB XS 111 Basic data

Technical data

	B-2 Duo	BS-2 HiDuo	B-3 Duo	B-3 HiDuo	E-3 HiDuo	E-5 HiDuo
Max. lifting capacity (kNm)	97	106	93	101	103	97
Outreach - hydraulic extensions (m)	8.0	7.7	10.1	10.1	10.2	14.6
Outreach - manual extensions (m)	12.1	11.8	12.1	12.1	14.3	16.7
Outreach / Lifting capacity, standard (m / kg)	2.8 / 3550	2.3 / 4650	3.1 / 3150	3.1 / 3300	2.4 / 4350	2.6 / 3800
	4.2 / 2360	3.9 / 2780	4.3 / 2200	4.3 / 2440	4.3 / 2440	4.5 / 2180
	5.9 / 1680	5.5 / 1940	5.9 / 1560	5.9 / 1680	6.1 / 1660	6.3 / 1420
	7.7 / 1260	7.4 / 1440	7.8 / 1140	7.8 / 1240	8.1 / 1200	6.3 / 1420
	-	-	9.8 / 900	9.8 / 980	10.2 / 940	10.4 / 720
	-	-	-	-	-	12.5 / 580
	-	-	-	-	-	14.6 / 480
Slewing angle	406°	406°	406°	406°	406°	406°
Height in folded position (mm)	2170	2170	2170	2170	2170	2170
Width in folded position (mm)	2250	2250	2295	2295	2390	2486
Installation space needed (mm)	695	695	785	785	792	808
Weight - "standard" crane without stabilizers (kg)	1200	1180	1300	1300	1510	1730
Weight - stabilizer equipment (kg)	140 - 285	140 - 285	140 - 285	140 - 285	140 - 285	140 - 285

HIAB XS 111 B-3 HiDuo



Disclaimer

Hiab cranes have been built to meet the highest standards of safety and service life and have been thoroughly tested. Strength calculations for this model have been carried out in accordance with EN13001. Hiab's certified Quality Assurance System complies with the ISO 9001. Some of the items in our literature may be extra equipment. Certain applications may require an official permit. We reserve the right to change technical specifications without prior notice. Hiab cranes produced for EU-countries are CE-marked and comply with the European Standard EN 12999.